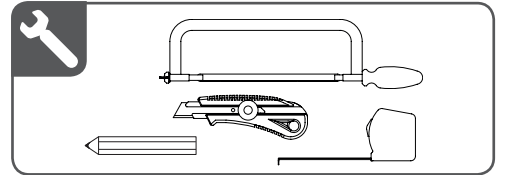
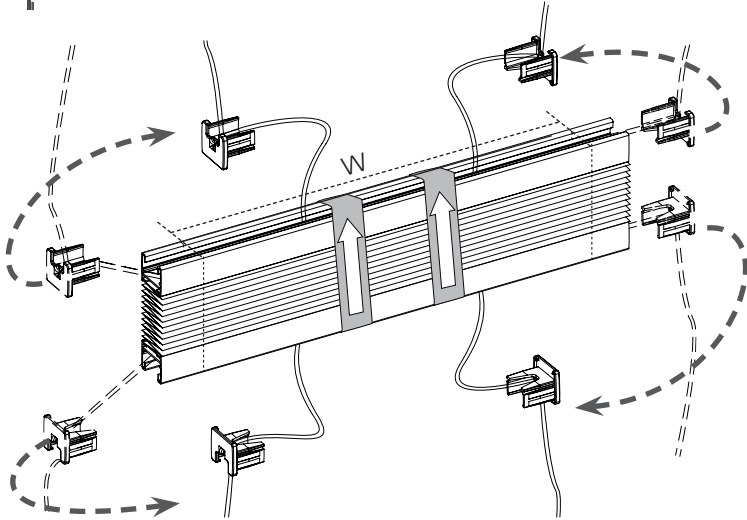
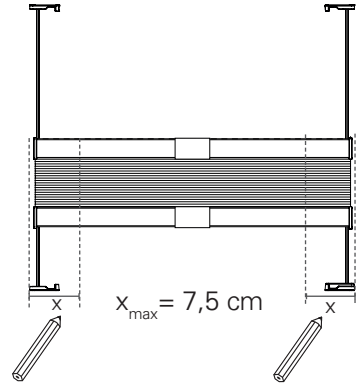
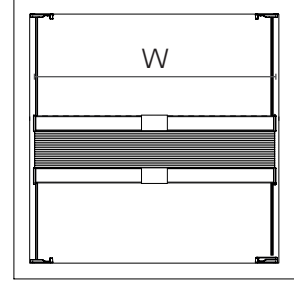




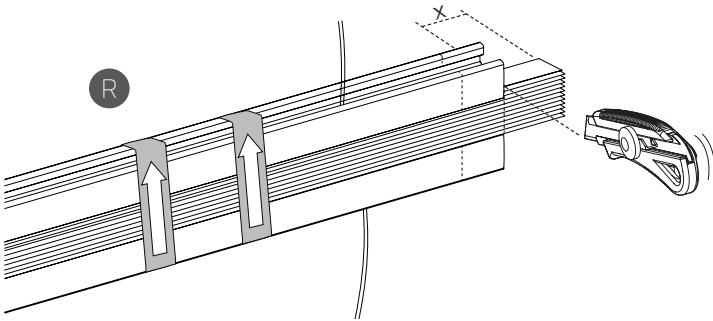
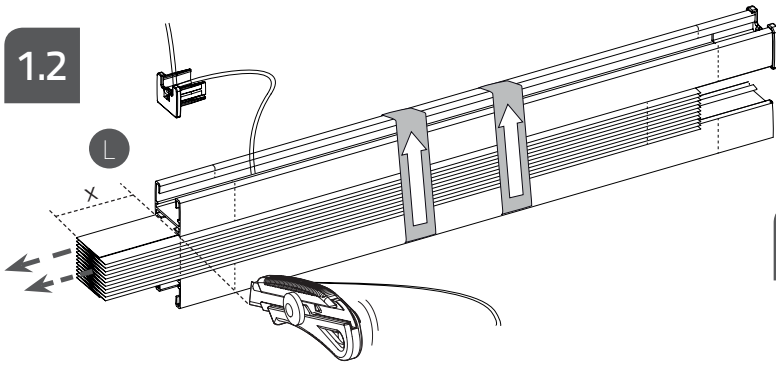
1.1



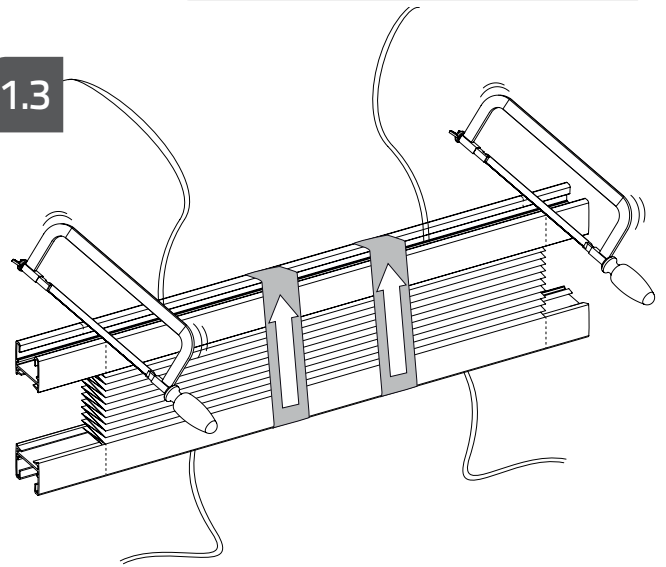
i



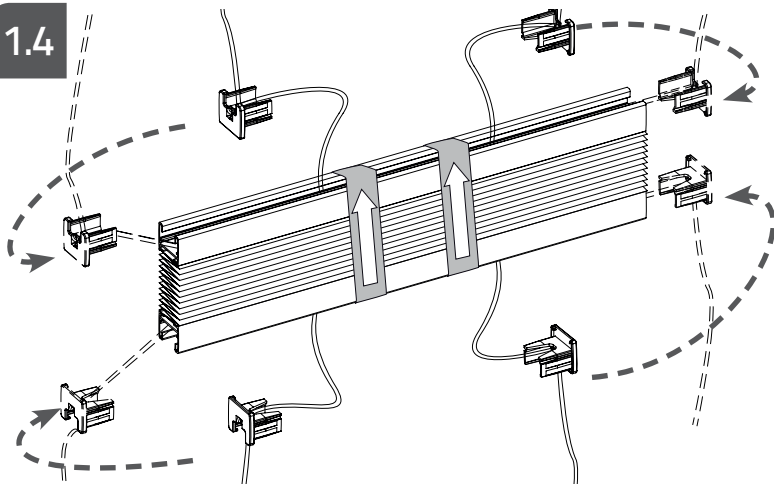
1.2



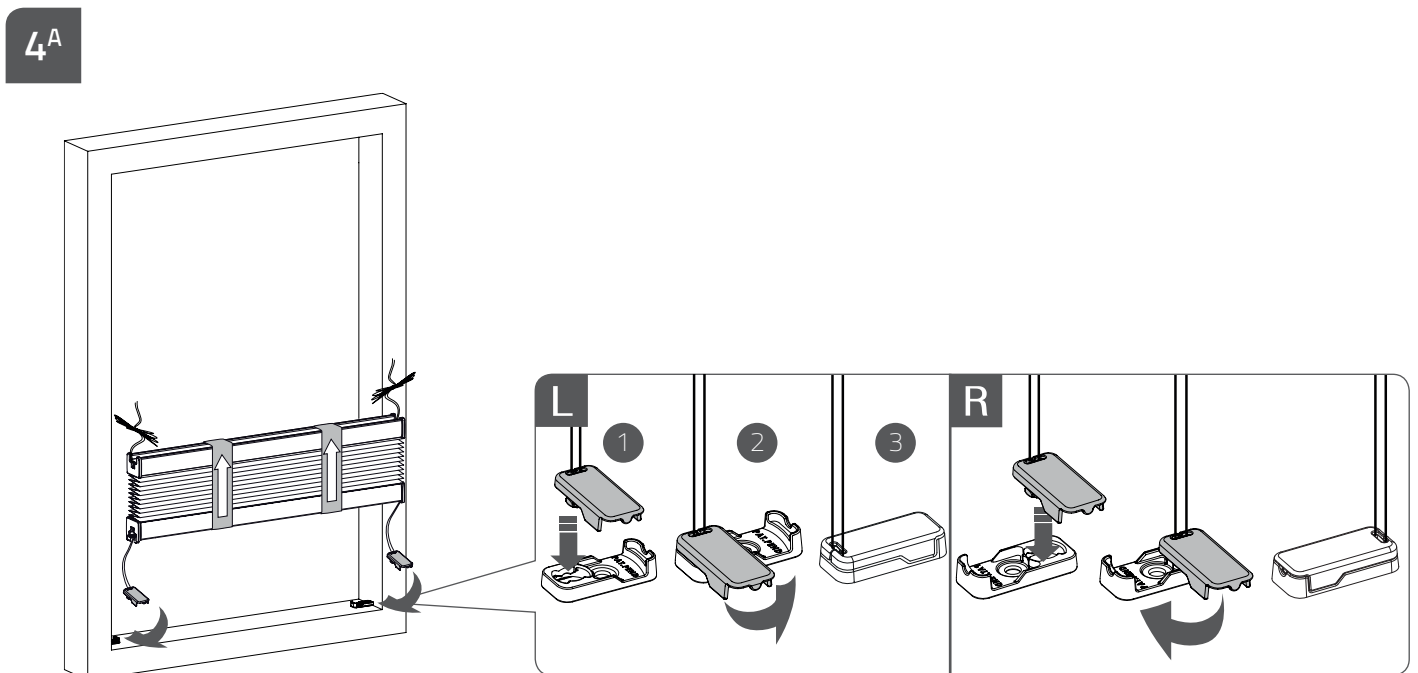
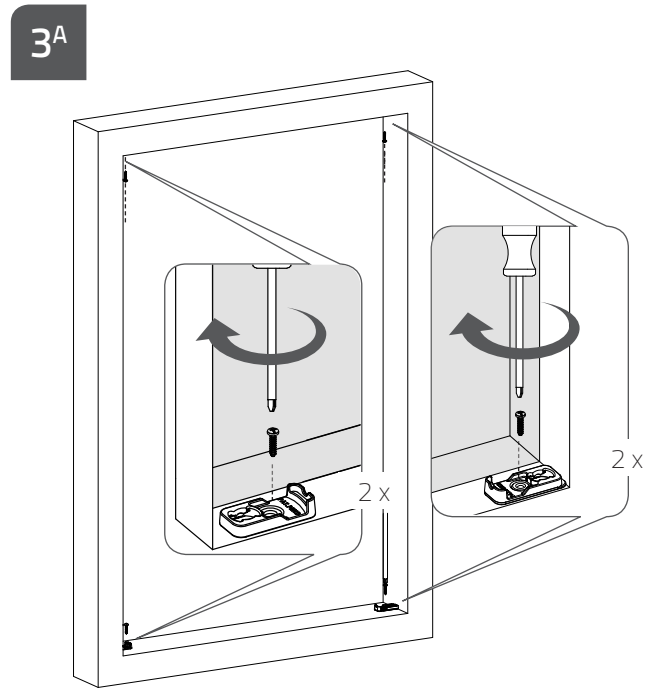
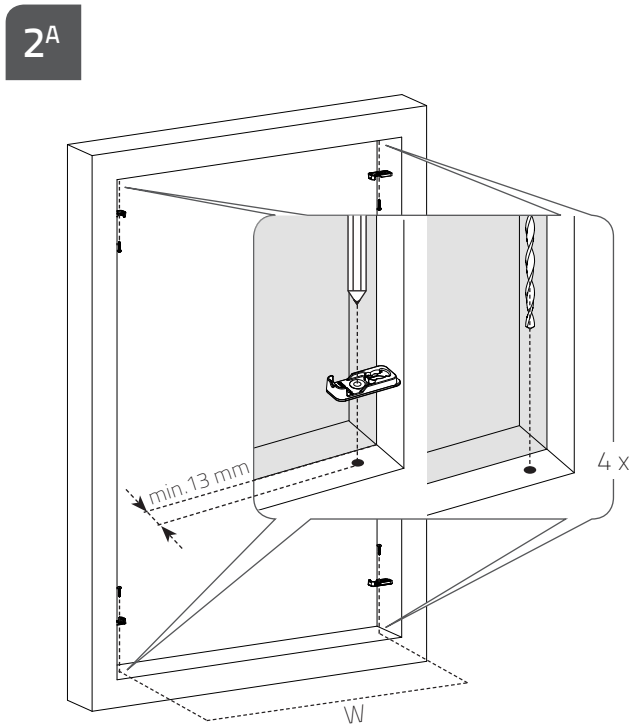
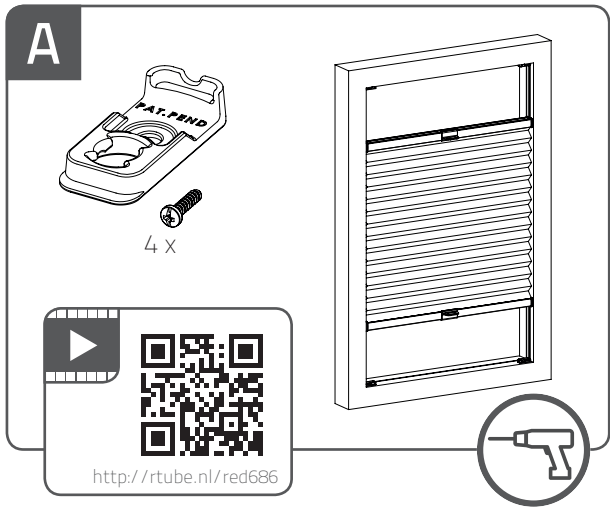
1.3



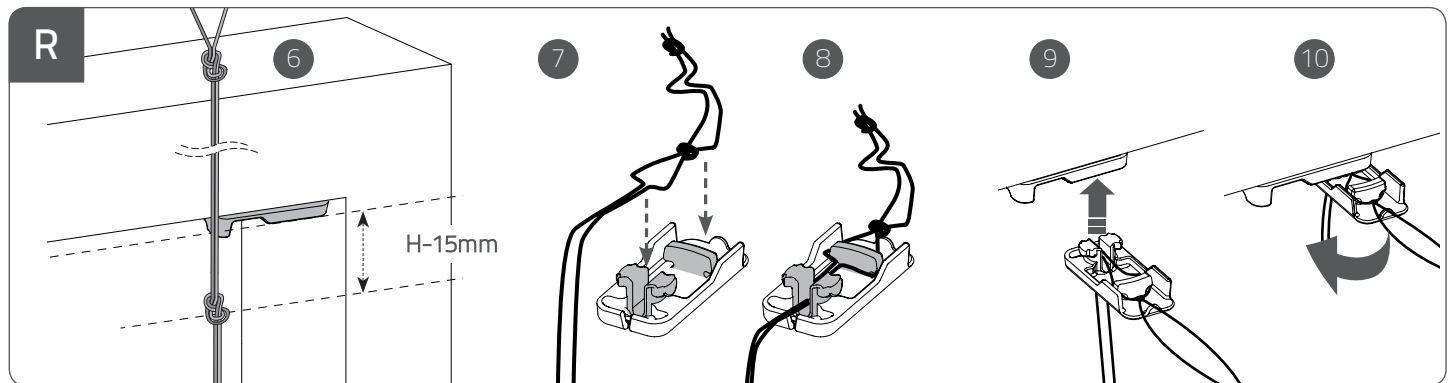
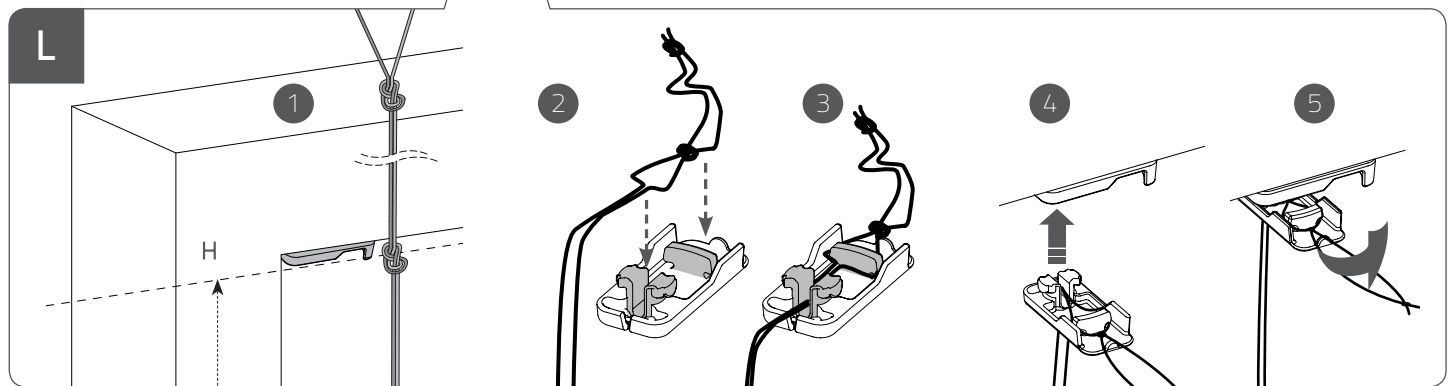
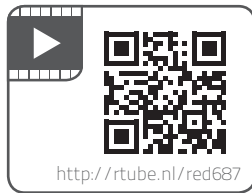
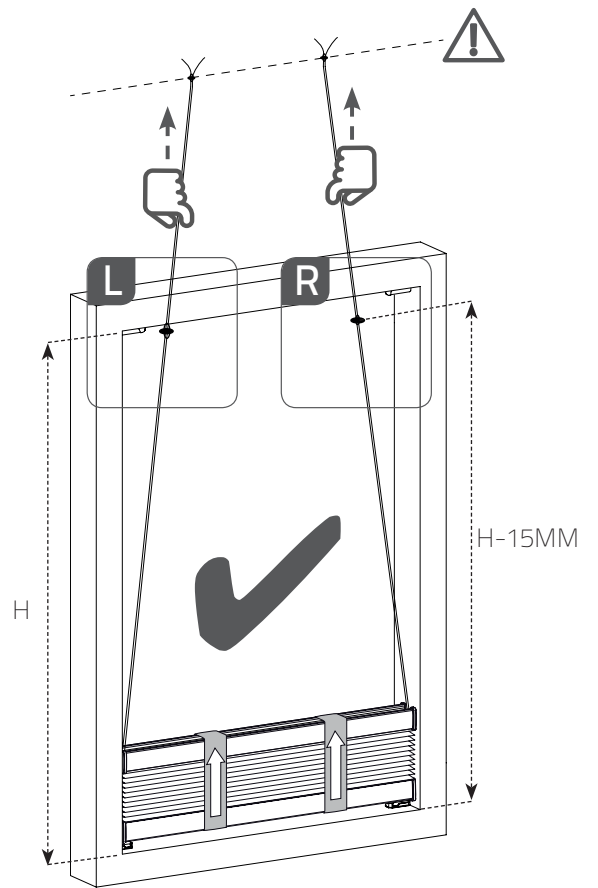
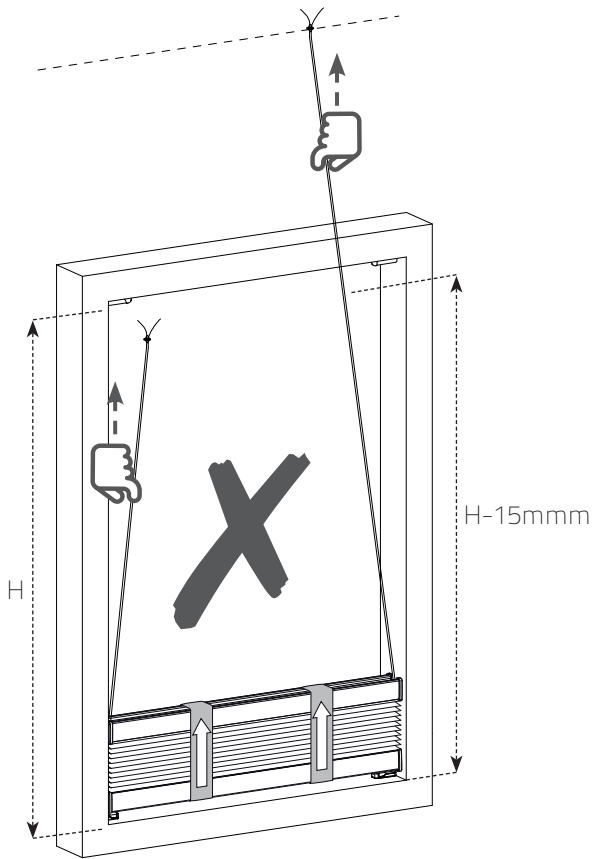
1.4



MN170068_20170623

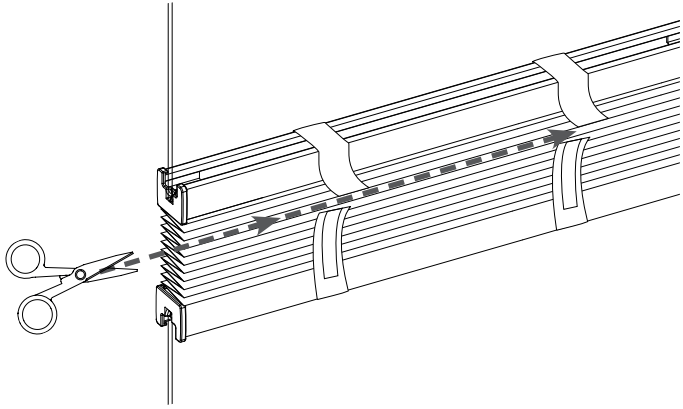


5^A

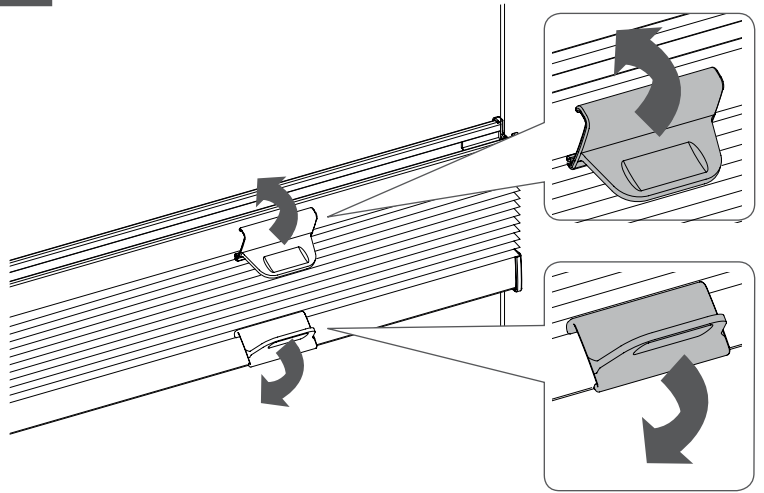


MN170068_20170623

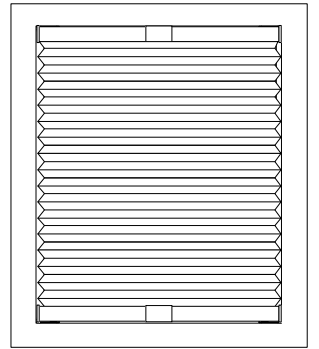
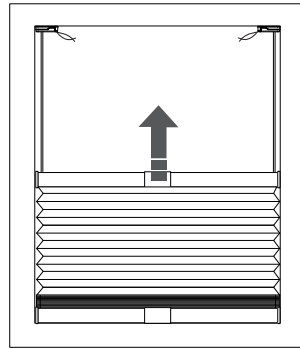
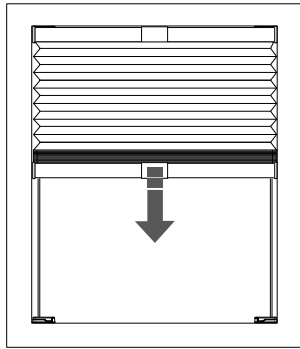
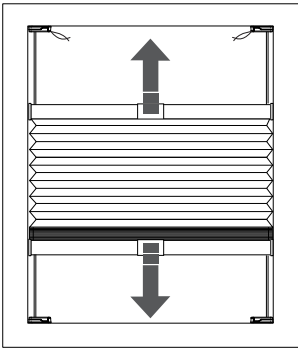
8



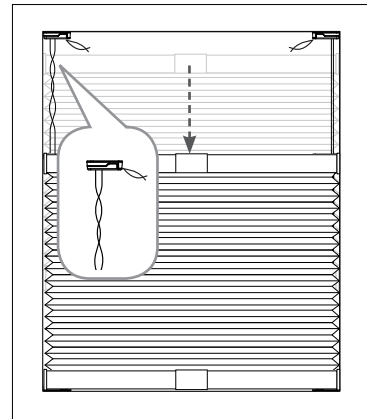
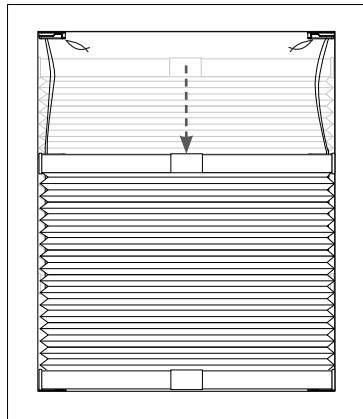
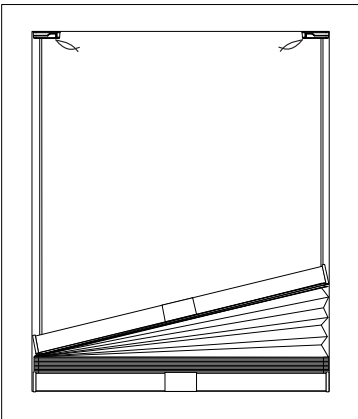
9

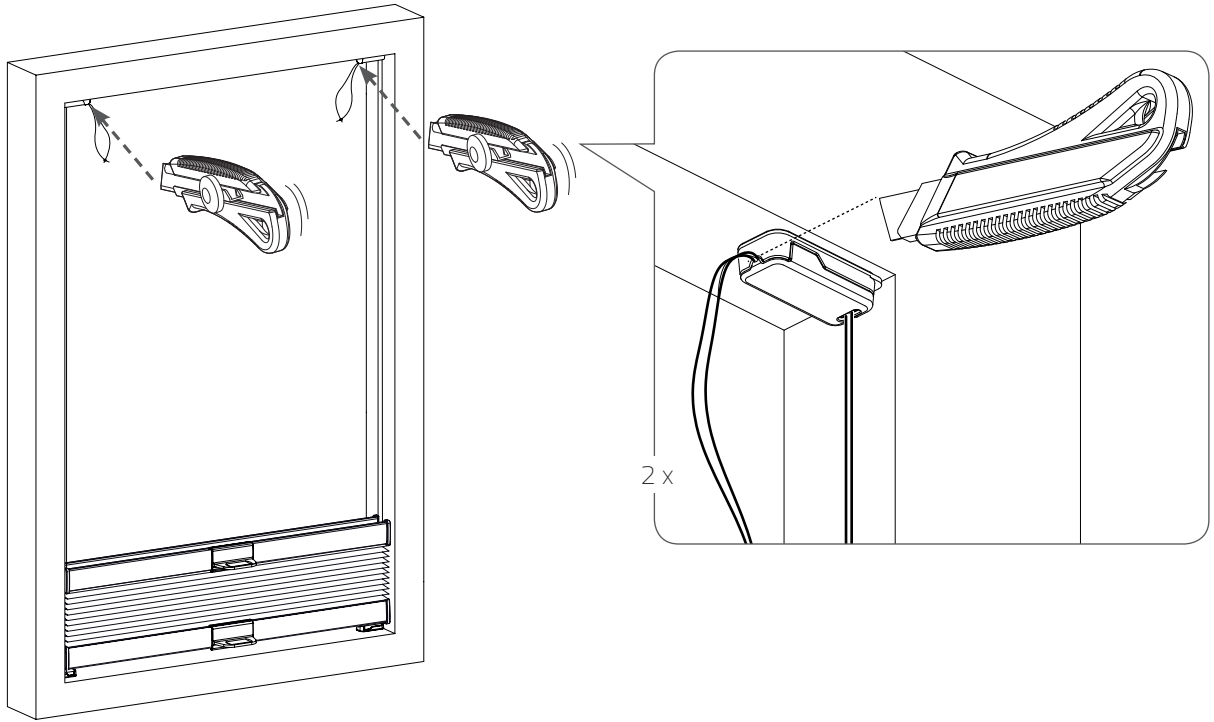


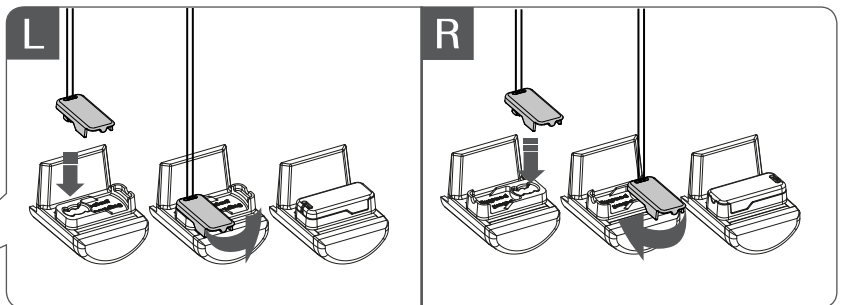
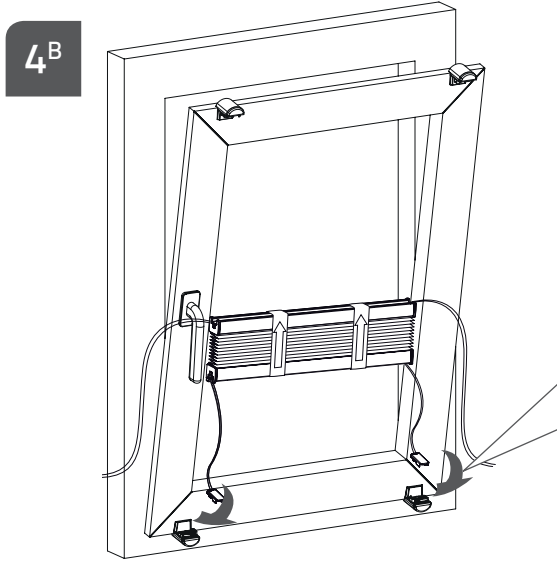
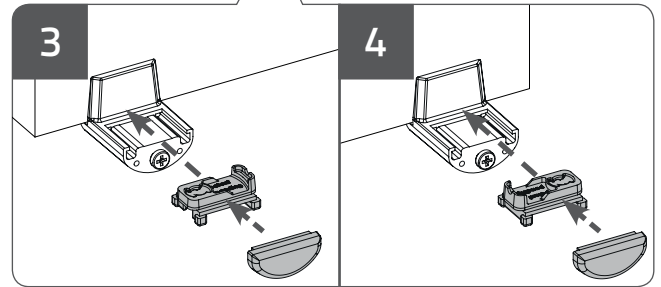
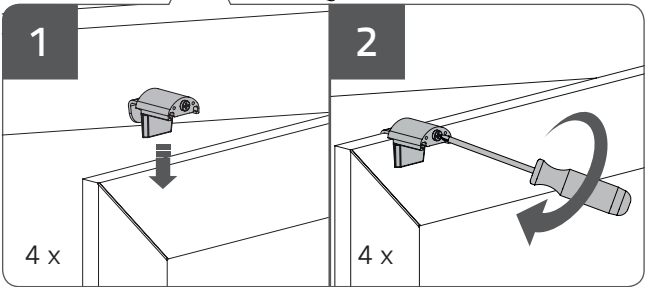
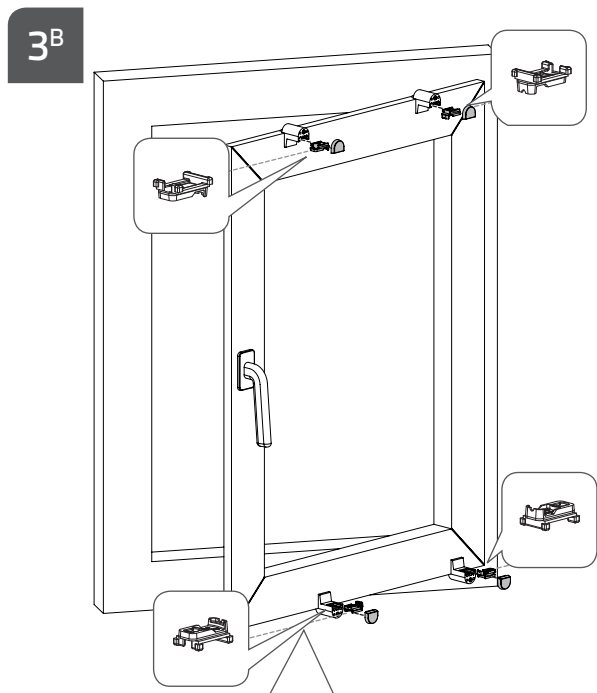
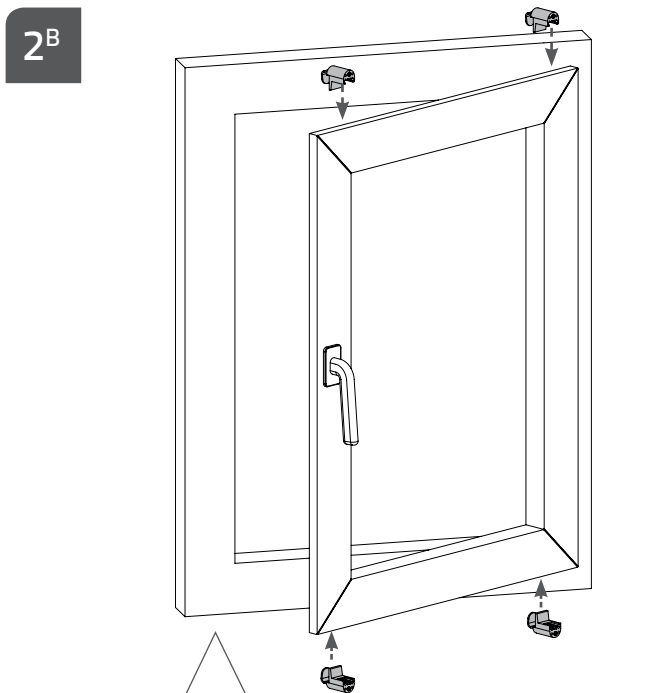
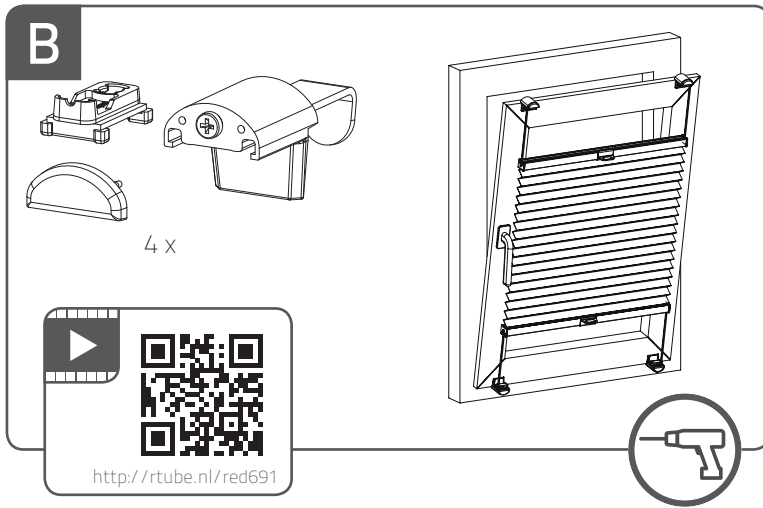
10



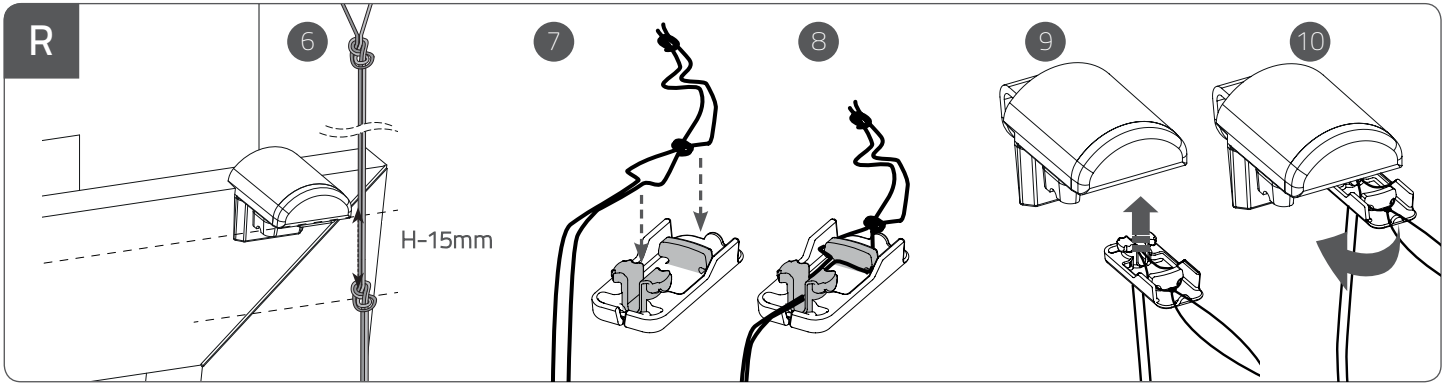
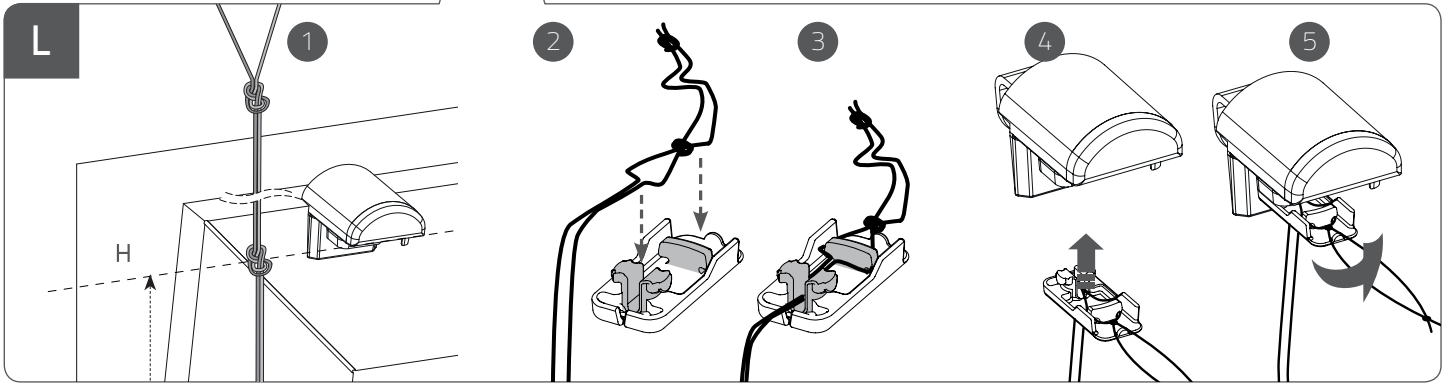
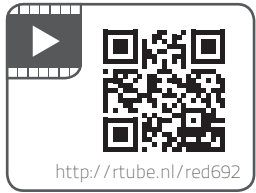
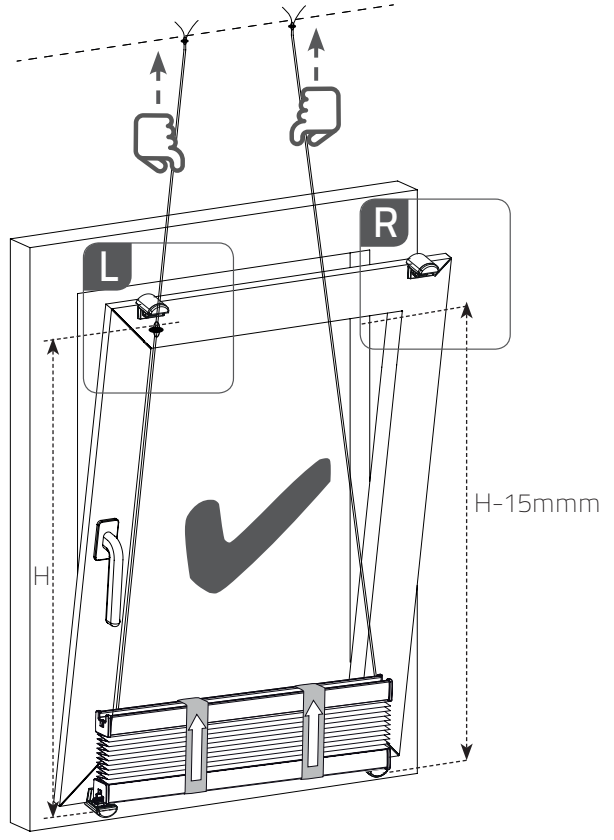
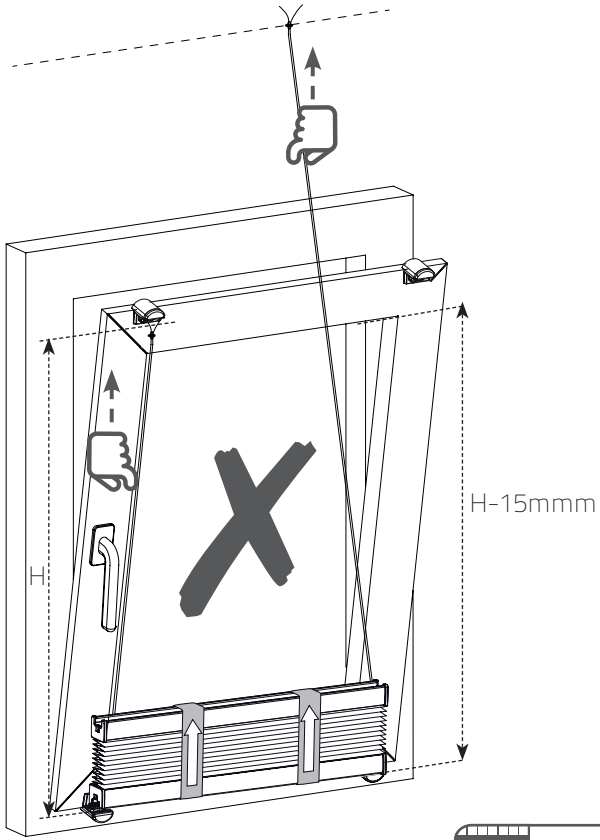
i Troubleshoot





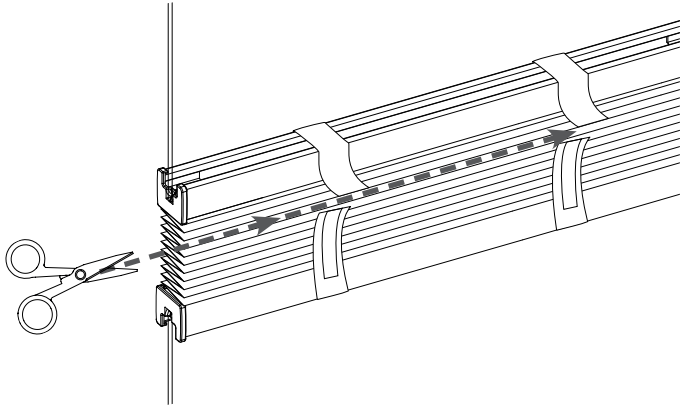


MN170068_20170623

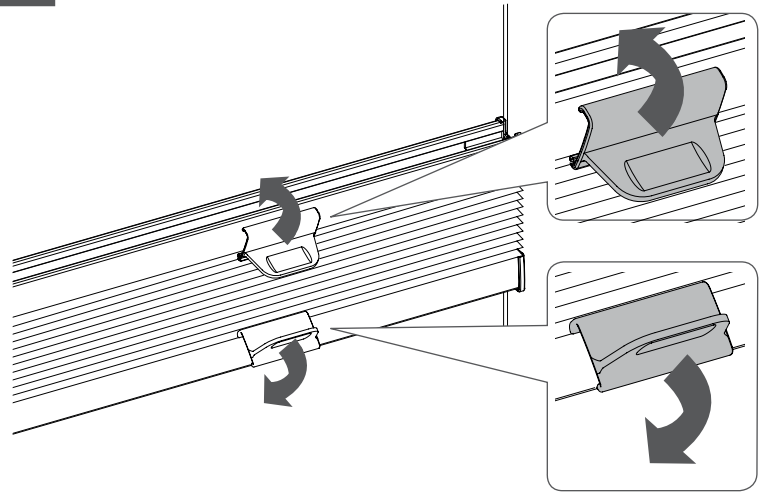


MN170068_20170623

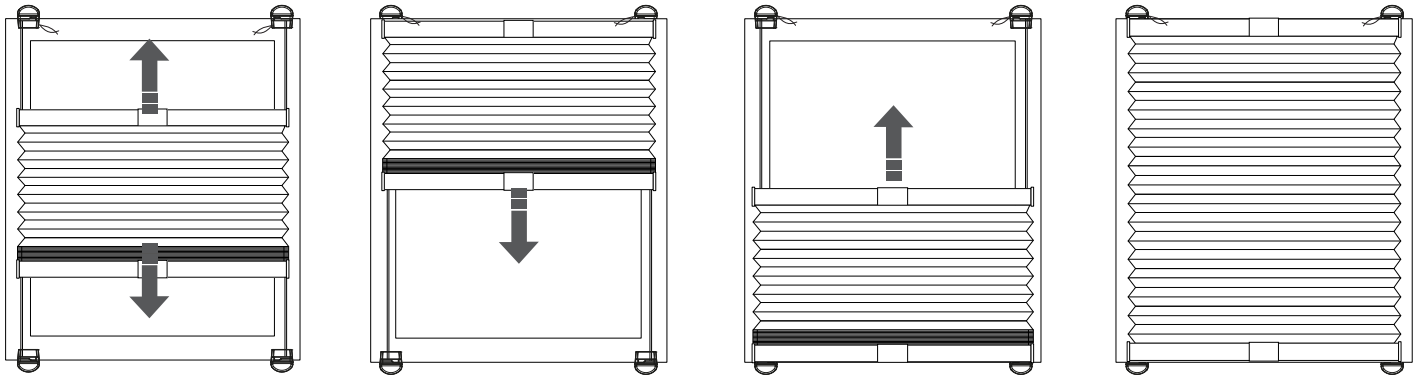
8



9



10



i Troubleshoot

